

1967 (Late) and 1968 CORVETTE STANDARD (NON-ADJUSTABLE) STEERING COLUMN DISASSEMBLY & REPAIR INSTRUCTIONS PAPER #1

Disassembly and Repair Instructions Addressed in this Paper

	Difficulty	Page
REMOVE STRG WHEEL AND HORN PARTS	Easy	2
REMOVE TURN SIGNAL LEVER	Easy	2
REPLACE THE TURN SIGNAL SWITCH	Moderate	3 & 4
REPLACE OR REPAIR UPPER COLUMN BEARING	Moderate	5

How the Paper is Setup

This is the first of two papers that address various replacement and repair procedures that can be performed on 1967-1968 Corvette first generation, energy absorbing, standard (non-adjustable) steering columns. All of the service procedures outlined in this paper should be fairly easy and accomplished without removing the steering column from the car. The next paper (Disassembly & Repair Paper #2) addresses removing the steering column from the car, replacing the lower bearing, and checking the steering shaft length.

Right after start of production in 1967 the lower steering column bearings and steering shafts of both the standard (and telescoping) Corvette steering columns were revised. Since the 1967 Chevrolet Chassis Repair Manual was already in print, it does not show or discuss any of the revised parts. Unfortunately, the 1968 manual was updated in a somewhat haphazard manner and is not entirely correct either. Since the early 1967 steering columns were few in number and parts are quite rare, I will not address the early steering shafts, adjusters, or lower bearings.

1967 and 1968 Steering Columns

Even though the 1968 Corvette had an all new exterior and interior, the chassis remained the same as the 1967 model. For these reasons the 1967 Corvette standard steering column is similar but not identical to the 1968 Corvette column. The large mounting bracket (with the three aluminum mounting capsules) is welded in place and is quite different between the two years. Also the 1968 steering column has a welded toe plate bracket on the lower end of the steering column. The 1967 column was clamped to a bracket that was part of the dash plate. Therefore, the columns will not interchange.

It is not necessary to remove the steering column from the vehicle in order to work on the components in the upper end. Such things as the steering wheel, horn parts, turn signal switch, and the die cast housing that retains the upper steering shaft bearing can all be removed and serviced in-car and are covered in this D&R Paper #1.

A Word of Caution Before Beginning Work On Your Steering Column DISCONNECT THE BATTERY.

Remove the Steering Wheel and Hub

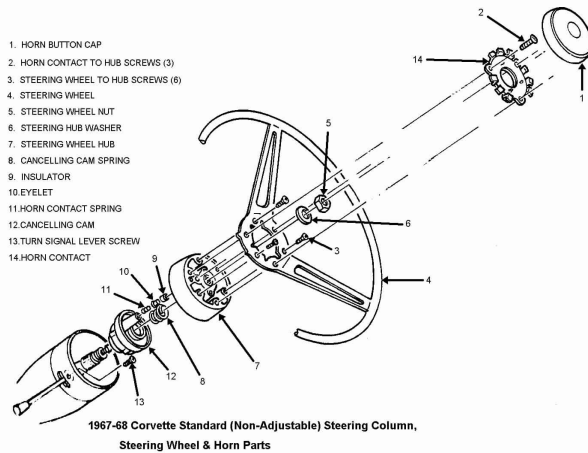
Carefully reach under the horn button cap assembly (1) with a small screwdriver and pry the cap from the horn contact (14). Most 1967-68 cap assemblies consist of three pieces that are all staked together. At this time, you might want to check the underside of the cap assembly to make sure that the three stakes are secure. You may even want to add some JB Weld to the stakes for insurance.

Remove the six screws (3) from the steering wheel (4) and remove the wheel from the hub assembly (7). Remove the three screws (2) and the horn contact (14).

Remove the steering wheel nut (5) and the hub washer (6). Now you should be able to see a small indentation on the steering wheel hub assembly and a similar indentation on the very end of the steering column shaft. The two marks should be aligned. These marks will allow the hub to be properly indexed to the spines on the column shaft when you reassemble them. If you can't find the markings, use a crayon or chalk to make your own marks on the steering wheel hub and the end of the steering column shaft.

Next, using a steering wheel puller, remove the hub. Make sure that your puller and bolts are square to the hub as you turn the large bolt and apply force. Never hammer on the end of the steering shaft.

You can now remove the large spring (8) and the canceling cam (12). There should be a spring loaded plunger called an eyelet (10) that protrudes from the tower on the canceling cam. You should be able to freely depress the eyelet against the small spring (11) inside the tower. Insulator (9) holds them in place. It can now be removed to access the eyelet and spring if these parts are to be inspected or replaced.



Removing Turn Signal Lever

You can now access the screw (13) that retains the turn signal lever to the turn signal switch. You now have full access to the turn signal switch.

Note: All part numbers on subsequent pages refer to parts shown on the 1967 (Late) Steering Column Blowup at end of this paper.

1967 Only - Remove the Turn Signal Switch & Wires

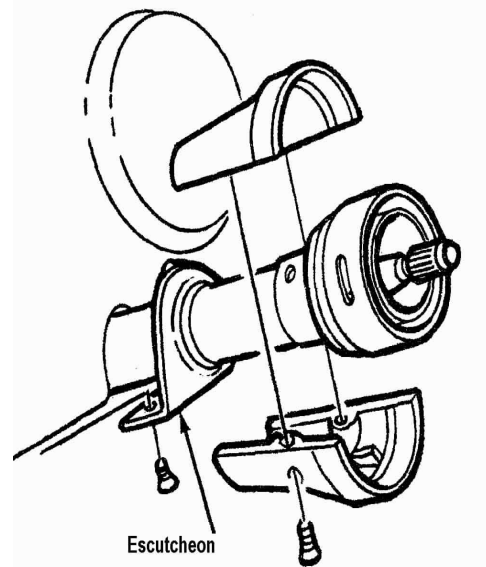
Go down under the dash and disconnect the curved turn signal switch connector from the vehicle body harness. The 1967 steering column has a part called an escutcheon #22 installed on the steering column jacket #3. It serves to close the gap between the instrument cluster and the steering column. Detach the two plastic covers from the column head by removing two screws. Remove the two screws that attach the escutcheon to the dash.

If your goal is to remove the steering column from the car and/or replace the lower bearing, it is suggested that at this point you skip to D&R paper #2. If you want to replace the turn signal switch – continue on.

Loosen the three vertical screws that attach the steering column up into the dash so that it can be lowered down about one quarter inch. This will disengage the stud on the top of the escutcheon from the instrument cluster. You will now be able to pull it up toward the steering wheel. **Warning! Never let the steering column “hang” without support.**

You will now have access to remove the metal turn signal switch wiring protector #4 by removing the two screws #2 and unsnapping it from the jacket. The turn signal switch wires pass through a narrow gap between the escutcheon and the column jacket.

However, the curved plastic electrical connector is too large to pass through the gap. The shop manual says to just go under the dash and cut the wires. So if you are sure that your switch is toast (never to be used again) you can consider this approach. Otherwise, you will need to remove the wires from the connector and pull them through the escutcheon a few at a time.



1967 CORVETTE STEERING COLUMN COVERS



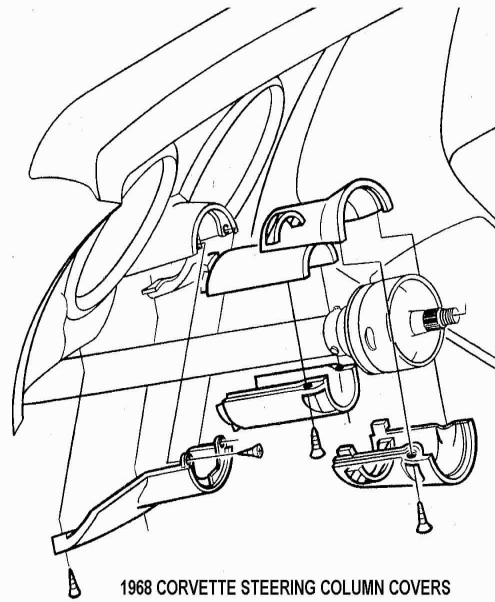
Make sure that you make note of the wire positions before you remove them from the connector. Straighten a heavy paper clip or use a very thin blade screwdriver; insert it into the connector from the contact side to disengage each wire and contact. Once you pop the wire and contact out of the connector, you should take a small knife blade and bend the tang back out so that it will engage the connector correctly upon reinstallation.

1968 Only - Gaining Access Remove Turn Signal Switch & Wires

Go down under the dash and disconnect the curved turn signal switch connector from the body harness. In order to gain access to metal trough #4 that protects the wiring you will need to remove the covers and closeout panel that surrounds the steering column. Remove the fasteners and the four plastic covers that enclose the upper end of the steering column. Remove the four fasteners and the closeout panel that is underneath the column.

To remove the steering column from the car and/or replace the lower bearing, it is suggested that you skip to D&R paper #2. To just replace the turn signal switch, continue on.

Use a screwdriver to unsnap the metal turn signal wiring protector #4 from the steering column jacket. The wires are now free to easily pass up and through upper flange #1 and the signal switch cover #9.



ALL - Removing the Turn Signal Switch Only

Push in the hazard warning knob and remove the knob and screw. Remove three turn signal switch screws #6. Pull the switch and wires straight out of the switch cover #9. Note that the 1967 turn signal switch wires will have the curved connector already removed. The 1968 switch wires can be removed with the connector in place.

ALL - Remove Turn Signal Switch, Bearing Housing, and Switch Cover as a Unit

Push in the hazard warning knob and remove the knob and screw.

Remove the c-clip retaining ring #13 from the steering shaft. Then remove the thrust washer #14 and the wave washer #15. Remove three upper flange mounting bolts #2. You can now slide the entire upper end assembly off of the steering column.

On the 1967 column the escutcheon will come off of the steering column mast jacket along with the upper end assembly and its turn signal switch wires. (You will not need to remove the wires from the plastic connector.)

Remove the three turn signal switch screws #6. You may need to place the turn signal switch in a "right or left turn" position to have better access to the screws.

Replace or Repair Upper Column Bearing

The bearing that is part of housing #8 was not designed to be serviced. It was a press fit into the housing and there was a thin lip on the housing bore that was staked or spun over to retain the bearing. The bearing has been known to come loose. If this is the problem that you are correcting, you can try to epoxy glue the bearing case into the housing bore. You can also attempt to carefullypeen limited areas of the case over on the bearing.

You can also purchase a bearing or bearing housing assembly from suppliers such as:

Doc Rebuild www.docrebuild.com 1-800-866-9362

67-68 Upper Bearing Only 6521108

67-68 Upper Bearing Housing (Used) 6521145

Turn Signal Switch, & Bearing Housing Reassembly

Assemble the upper bearing housing #8 and turn signal switch #7 into the cover #9 and attach to flange #1. Secure parts together with three screws #6 tighten to 30 inch-lbs.

1967 Only – Assemble escutcheon #22 to turn signal switch wires. Assemble escutcheon to mast jacket #3.

Assemble cover and flange assembly over steering shaft #20 and onto mast jacket #3. Attach flange to the mast jacket with three screws #2 tighten to 24 inch-lbs.

Slide wave washer #15, thrust washer #14, and retaining ring #13 onto steering shaft. Press parts together and seat retaining ring into groove in steering shaft. Make sure that the retaining ring is fully seated.

Place the turn signal lever into the slot in the turn signal switch. Assemble with screw and tighten to 20 inch-lbs. Screw hazard warning knob in place, torque to 4 inch-lbs.

Pull signal switch wires flat to mast jacket and assemble metal wiring protector trough to jacket. Connect the curved turn signal switch connector to vehicle body harness.

Reassemble Covers, Canceling Cam, & Hub

From this point onward, please refer to the steering wheel drawing on page 2.

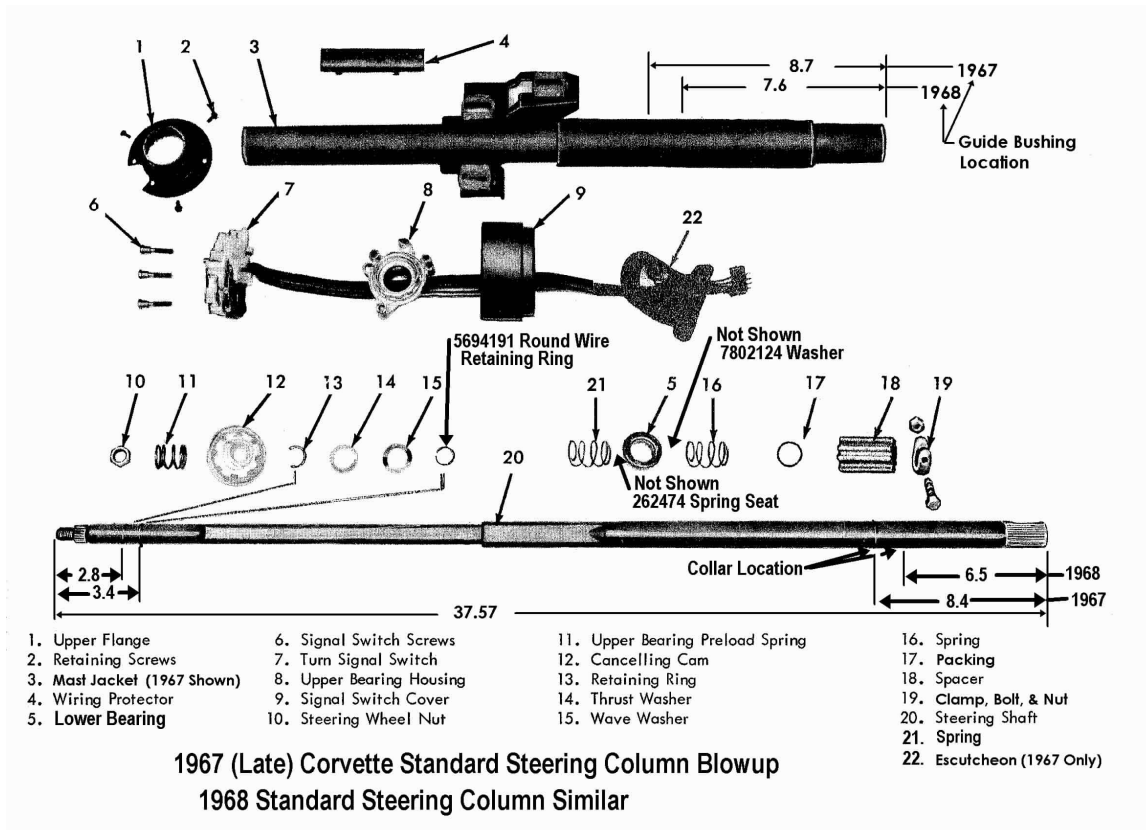
Assemble plastic covers and escutcheon (1967) or covers and closeout panel (1968). Install the canceling cam (12), the large spring (8), and the hub assembly (7) on the steering shaft. The horn tower on the canceling cam (with the eyelet, spring, and retainer) fits through the hole in the hub. Align the mark on the hub to the mark on the end of the steering shaft. Assemble washer (6) and steering hub nut (5). Torque nut to 35 ft-lbs.

Reassemble Steering Wheel, Horn Contact, and Horn Cap

Attach the steering wheel to the hub with six screws (3). Torque to 20 inch-lbs. The 6 o'clock spoke on the steering wheel should be opposite the mark on the end of the steering shaft.

Attach the horn contact (14) to the hub with three screws (2). Torque to 19 inch-lbs. Make sure that the eyelet plunger (10) sticking up through the hub touches the horn contact. Snap the horn button cap (1) into horn contact.

Connect the car battery.



There are errors in the 1967 and 1968 Chevrolet Chassis Service Manuals where they show a steering column blowup drawing.

- 1). There is a round wire retaining ring that is missing. It is installed in a groove on the steering shaft and is located 3.4 inches from the steering wheel end of the shaft. That ring is GM #5694191 and is available through GM dealers, numerous Corvette suppliers, or at salvage yards. It has been added to the above drawing.
- 2). The 1967 Chassis Service Manual does not show the Late 1967 parts for the lower bearing. The proper clamp, bolt, & nut as well as the bearing package have been added to this blowup.
- 3). The lower bearing package shown in the 1968 Chassis Service Manual blowup is not correct. An additional spring, spring seat, washer, and collar have been added as well.

Final Words of Caution:

To maintain the energy absorbing function of the steering column, always replace screws, bolts, and nuts with identical fasteners as specified.

If a steering column assembly is removed from the car, special care must be taken as you handle it. A sharp blow on the end of the steering shaft, leaning on the column, or dropping the column could shear the plastic fasteners inside the column that maintain steering shaft and column rigidity. Remember, plastic parts that are over 25 years old can be very brittle! Handle your steering column parts with care.

Never allow the steering column to just “hang” under the dash by only the floor pan connections and the flexible coupling. This places very high stresses on the lower column bearing and the mast jacket itself. Always have someone hold the column; block it up; or wire it in place if you must remove the vertical bolts that hold it into the dash.

JIML82@aol.com

67-68StdColumnD&R#1Rev03SE2012