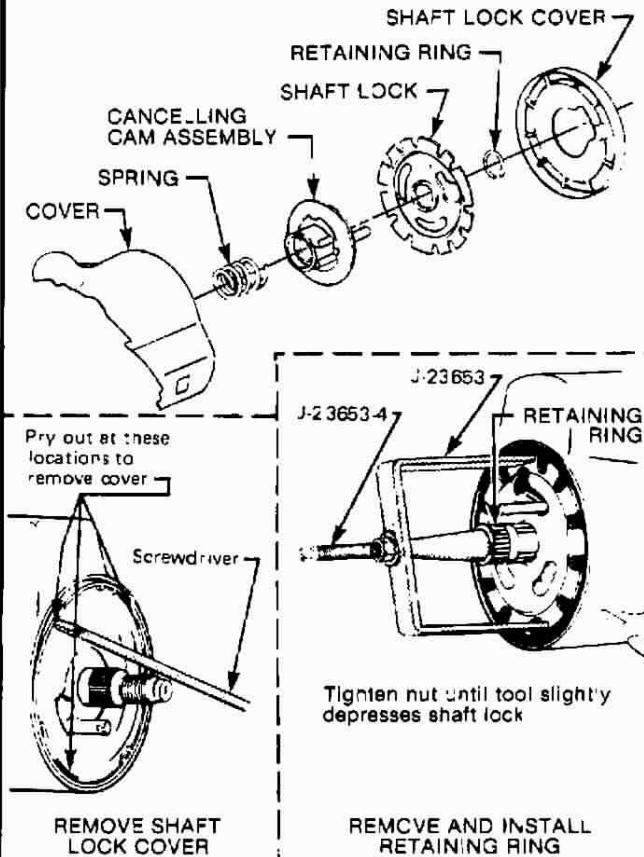


GM A-CAR 1969-72 TILT STEERING COLUMN - PAGE 1

1. REMOVE AND INSTALL SHAFT LOCK AND/OR CANCELLING CAM

- REMOVE**
1. Disconnect negative battery cable.
 2. Refer to STEERING WHEEL - Removal.
 3. Remove parts as shown.

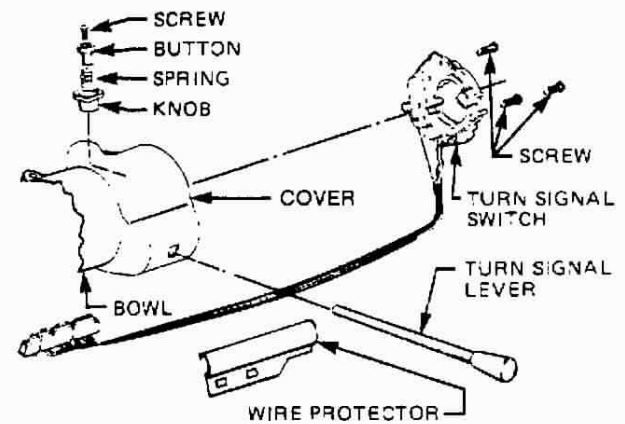
- INSTALL**
1. Install parts as shown.
 2. Refer to STEERING WHEEL - Installation.
 3. Connect negative battery cable.



2. REMOVE AND INSTALL TURN SIGNAL SWITCH

- REMOVE**
1. Remove parts as shown.

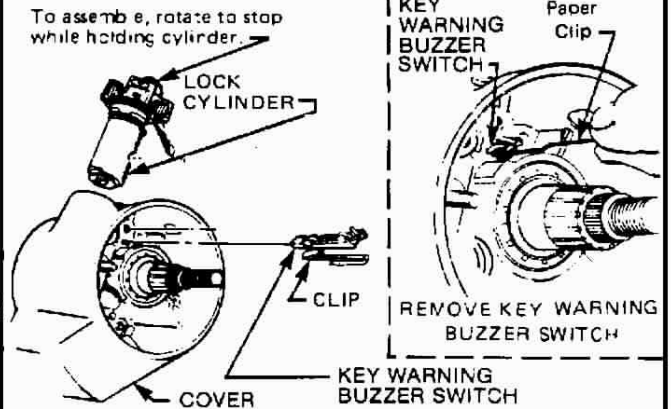
- INSTALL**
1. Install parts as shown.



3. REMOVE AND INSTALL IGNITION LOCK AND KEY WARNING BUZZER

- REMOVE**
1. Turn lock to "RUN" position and remove key warning buzzer.
 2. Remove parts as shown.

- INSTALL**
1. Install lock cylinder.
 2. Turn lock to "RUN" position and install key warning buzzer switch.



4. REMOVE AND INSTALL COVER AND WIPER SWITCH

- REMOVE**
1. Remove parts as shown.

- INSTALL**
1. Install parts as shown.

