

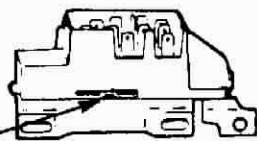
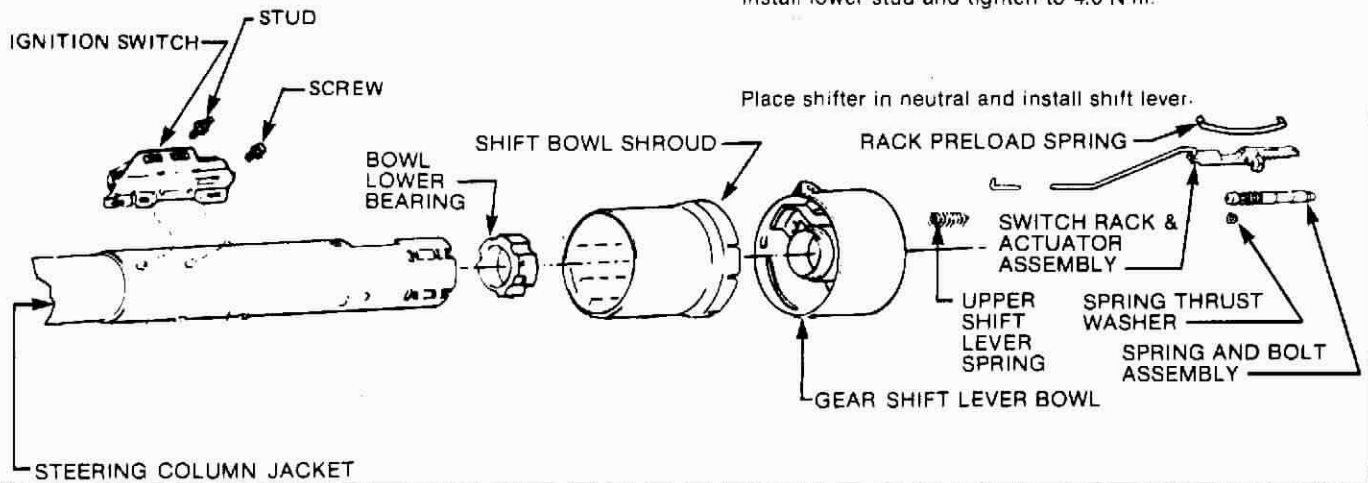
5. REMOVE AND INSTALL IGNITION

REMOVE

1. Remove parts as shown.

INSTALL

1. Install parts as shown.
2. Position rod in slider hole and install ignition switch. Install lower stud and tighten to 4.0 N·m.



MOVE SWITCH SLIDER TO EXTREME LEFT (ACC.) POSITION. THEN MOVE SLIDER TWO DETENTS TO THE RIGHT TO "OFF-UNLOCK" POSITION.

INSTALL IGNITION SWITCH

6. REMOVE AND INSTALL STEERING SHAFT AND SHIFT TUBE

REMOVE

1. Remove parts as shown.

INSTALL

1. Install parts as shown.
2. Refer to inset for manual transmission lever adjustment.

