

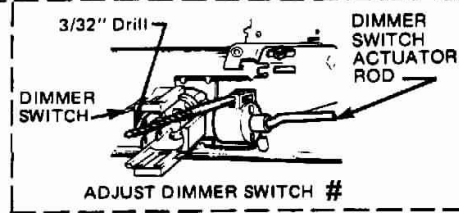
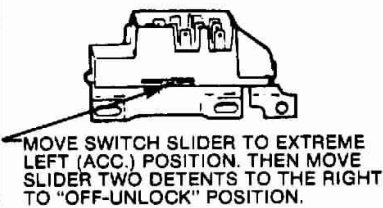
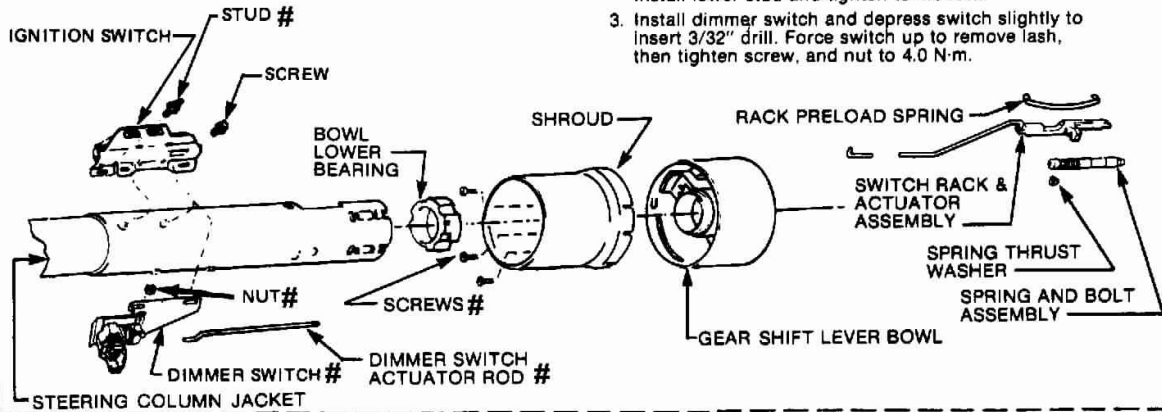
5. REMOVE AND INSTALL IGNITION AND DIMMER SWITCH

REMOVE

1. Remove parts as shown.

INSTALL

1. Install parts as shown.
2. Position rod in slider hole and install ignition switch. Install lower stud and tighten to 4.0 N-m.
3. Install dimmer switch and depress switch slightly to insert 3/32" drill. Force switch up to remove lash, then tighten screw, and nut to 4.0 N-m.



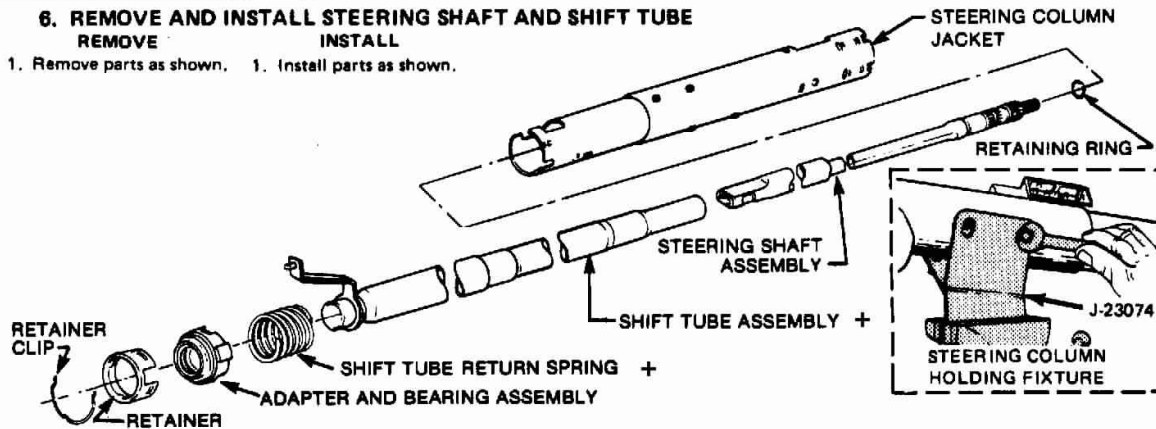
6. REMOVE AND INSTALL STEERING SHAFT AND SHIFT TUBE

REMOVE

1. Remove parts as shown.

INSTALL

1. Install parts as shown.



+ 69-76 ONLY

77-79 ONLY