

CORVETTE C3 STANDARD STEERING COLUMN - PAGE 1

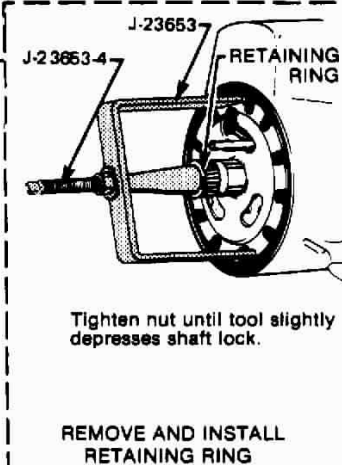
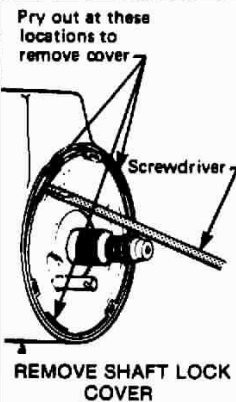
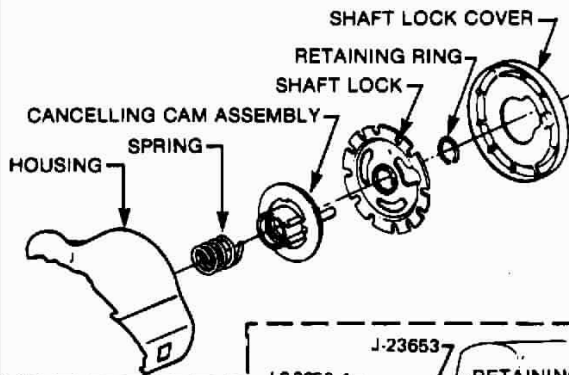
1. REMOVE AND INSTALL LOCK PLATE AND/OR CANCELLING CAM

REMOVE

1. Remove parts as shown.

INSTALL

1. Install parts as shown.



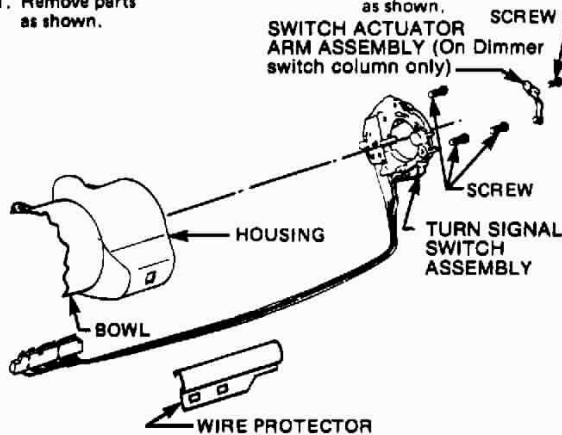
2. REMOVE AND INSTALL TURN SIGNAL SWITCH

REMOVE

1. Remove parts as shown.

INSTALL

1. Install parts as shown.



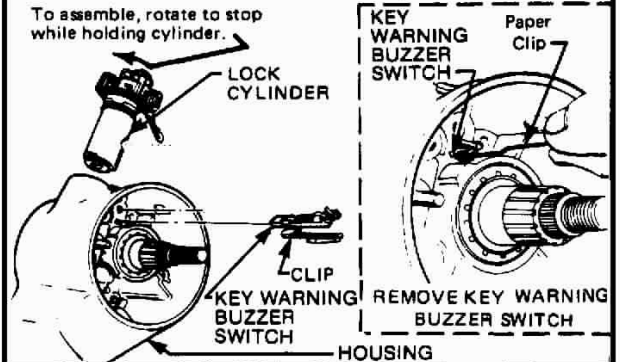
3. REMOVE AND INSTALL IGNITION LOCK AND KEY WARNING BUZZER

REMOVE

1. Turn lock to "RUN" position and remove key warning buzzer switch.
2. Remove parts as shown.

INSTALL

1. Install lock cylinder.
2. Turn lock to "RUN" position and install key warning buzzer switch.



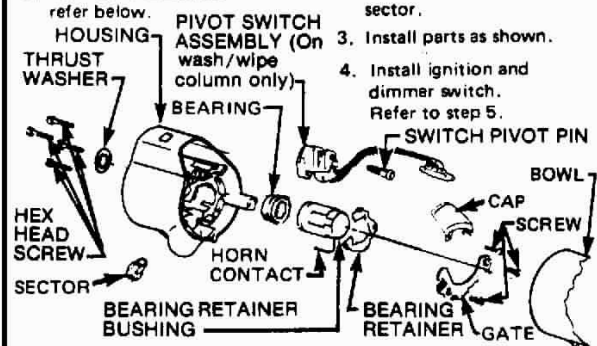
4. REMOVE AND INSTALL HOUSING AND WIPER SWITCH

REMOVE

1. Remove ignition and dimmer switch. Refer to step 5.
2. Remove parts as shown.
3. For KEY RELEASE refer below.

INSTALL

1. For KEY RELEASE refer below.
2. Assemble rack so that first rack tooth engages between first and second tooth of sector.
3. Install parts as shown.
4. Install ignition and dimmer switch. Refer to step 5.



NOTE: Housing without bearing retainer and bushing has spun in bearing. If repair is necessary, complete housing assembly replacement is necessary.

